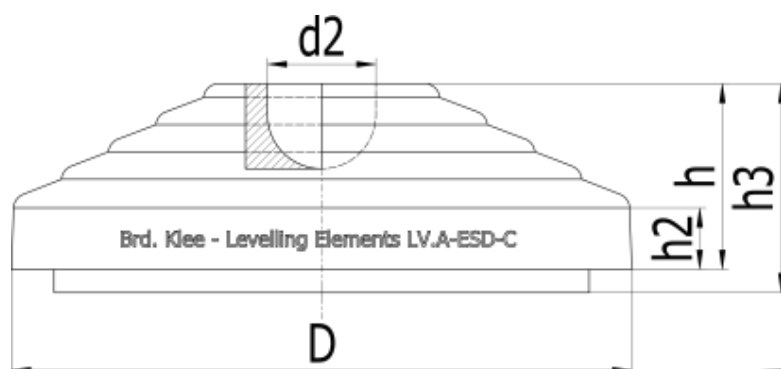


Article number: 2310301741ESD

Description: E+G Antistatic base for levelling elements
LV.A-60-14-AS-ESD-C

Measures



D	= 60
d2	= 14
h	= 24
h2	= 9
h3	= 27
N	= 14000
Weight in g	= 32